



This Media Player is an All-In-One audio source device which accommodates different kinds of audio sources into one single device with two channels:

**Left side media** combines a **CD-Player,USB/MP3-player and Bluetooth-receiver**.

**Right side media** combines **USB/MP3-player,Bluetooth-receiver and a tuner receiver supporting AM/FM(RDS)/DAB+(DAB)**.

#### Listening to DAB+(DAB):

Provides a solution of Digital audio broadcasting (DAB+), the signals of which are transmitted in-band, on-channel (IBOC). Several stations can be carried within the same frequency spectrum. And with outstanding features including improved sound quality, reduced fading and multipath effects, enhanced immunity to weather, noise, and other interference, and expansion of the listener base by increasing the number of stations that can broadcast within a given frequency band.

Since the DAB system is broadcasted in digital format, DAB system can supply crystal-clear audio and stable reception even in mobile objects. DAB is a new generation radio which can provide data service and supplementary multi-media services.

※ The main difference between DAB and DAB+ is the type of audio codec used.

DAB: MPEG2

DAB+: MAEG4 (AAC)

※ This unit can receive both DAB and DAB+ broadcasts.

Remark for the feature of RDS/DAB/DAB+: To lower the cost of this player,RDS/DAB/DAB+ can be removed for the markets where this feature is not compulsory.

#### On the rear side:

Each channel has its own stereo outputs provided with RCA & XLR connection interface.

Because of the two separate stereo outputs,the two channels can operate simultaneously. This feature can be useful for applications such as Multi-Zone systems where multiple audio sources are required at the same time.

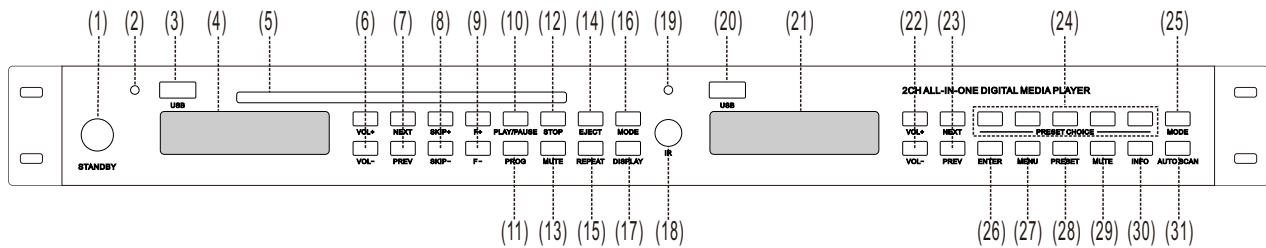
A RS232 serial interface that can be used for external control of the host device and to configure settings.In the serial remote control function, a host such as a computer is connected to the unit.

By sending control commands from the host to the unit, the unit can be operated.

This player can be operated through the front panel pushbuttons,also can be done through its remote control.

Removable rack mounting brackets are supplied,1U height design for installation in standard equipment rack or on desk.

## □ Front Panel



(2-17) for Left Side Media, (19-31) for Right Side Media

### 1. STANDBY:

Push this button to activate and deactivate this unit.

### 2. LED indicator:

This indicator flashes to show the left side media of the unit is being controlled.

### 3. USB port:

Allows to play USB disk on the left side.

### 4. Screen:

This shows various types of information for audio sources of the left side media.

### 5. Disc slot:

Insert a disc here, after a disc is inserted partway, the unit will automatically draw it in.

### 6. VOL+ / VOL-:

To turn up or down the volume of the left side media.

### 7. NEXT / PREV:

These buttons shall skip to the next or previous track.

### 8. SKIP+ / SKIP-:

Press these buttons to skip tracks by +10 or -10.

### 9. F+ (File+) / F- (File-):

Press these buttons to select the folder when use CD and USB media.

### 10. PLAY/ PAUSE:

Press this to start, resume, or pause the playback.

### 11. PROG:

Allows to play favorite songs when in the CD & USB mode.

### 12. STOP:

Press this to stop playback.

### 13. MUTE:

To press this button to mute the audio of the left side media, press it again to activate audio.

### 14. EJECT:

To press this button to eject a disc.

NOTE: Disc holder will not open unless stop or pause button has been pushed first.

### 15. REPEAT:

Press this turn the repeat playback function on/off.

### 16. MODE:

Press this button to choose audio source among USB, Disc and Bluetooth of the left side media.

### 17. DISPLAY:

Push this button to make the screen light on/off.

## □ Names & Functions of Front Panel

### 18. IR sensor:

This sensor receives the signal of remote control.

### 19. LED indicator:

This indicator flashes to show the right side media of the unit is being controlled.

### 20. USB port:

Allows to play USB disk on the right side.

### 21. Screen:

This shows various types of information for audio sources of the right side media.

### 22. VOL+ / VOL-:

To turn up or down the volume of the right side media.

### 23. NEXT / PREV:

**When in the USB and Bluetooth mode:** Press these buttons to skip to next or previous track.

**When in the FM(RDS) and DAB+ mode:**

Press these buttons to skip the frequency by +0.05 or -0.05 MHZ.

Press and hold these buttons to scan through the frequencies in a semi-automatic way.

### 24. PRESET CHOICE (1,2,3,4,5):

Keep pressing for several minutes to store the favorite stations. And press them to choose to play the stored stations (1 to 5). Through Remote Control that total 9 favorite stations can be stored.

### 25. MODE:

Press this button to choose audio source among USB,DAB+,FM,AM and Bluetooth of the right side media.

### 26. ENTER:

Press this button to confirm a selection.

### 27. MENU (works with buttons of 'PREV', 'NEXT' and 'ENTER'):

**When in the FM mode(including RDS):**

〈Scan setting〉 : To select scan way of All stations or Strong stations.

〈System setting〉 :

Language selection: English,Portugués,Español, Française, Italiano, Deutsch.

SW version: Shows the software version.

Factory reset: Clears the memory completely and scans again for the available stations.

〈Audio setting〉 : Allows to select Stereo or Mono mode.

**When in the DAB+ mode:**

〈Full scan〉 : Allows to scan through all stations.

〈System setting〉 :

Language selection: English,Portugués, Español, Française, Italiano, Deutsch.

SW version: Shows the software version.

Factory reset: Clears the memory completely and scans again for the available stations.

〈Prune〉 : Deletes (or not) stations that are either no longer transmitting or have moved frequency.

〈DRC〉 : Dynamic Range Compression provides a feature that reduces the volume of louder sounds and boosts the volume of quieter sounds. It can be a handy feature when listening to audio at lower volumes.

〈Manual tune〉 : Allows to scan through the frequencies manually.

### 28. PRESET:

Press this button to review the 60 stored stations,press 'NEXT' or 'PREV' to choose a desired station then press 'ENTER' to play this station.

## Names & Functions of Front Panel

### 29. MUTE:

To press this button to mute the audio of the right channel media, press it again to activate audio.

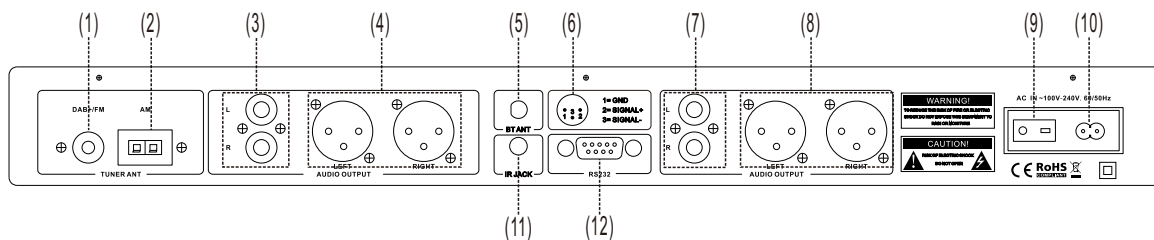
### 30. INFO:

Allows to show the related information for the FM(RDS) and DAB+ mode.

### 31. AUTO SCAN:

Press this to scan through and store the stations automatically. The stored stations can be review in the PRESET list.

## Rear Panel



### 1. Antenna DAB+/FM connector:

Connect the included DAB+/FM antenna here.

### 2. Antenna AM connector:

Connect the included AM antenna here.

### 3. RCA out jacks:

These RCA pin output jacks (unbalanced) always output the sound from the right side media.

### 4. XLR out jacks:

These XLR pin output jacks (balanced) always output the sound from the right side media.

### 5. BT ANT:

Connect the included bluetooth antenna here.

### 6. Indication of XLR jack:

1:GND, 2:Hot, 3:Cold.

### 7. RCA out jacks:

These RCA pin output jacks (unbalanced) always output the sound from the left side media.

### 8. XLR Out jacks:

These XLR pin output jacks (balanced) always output the sound from the left side media.

### 9. Power switch:

This turns the unit on and off.

### 10. AC IN connector:

Connect the included power cord here.

### 11. IR JACK:

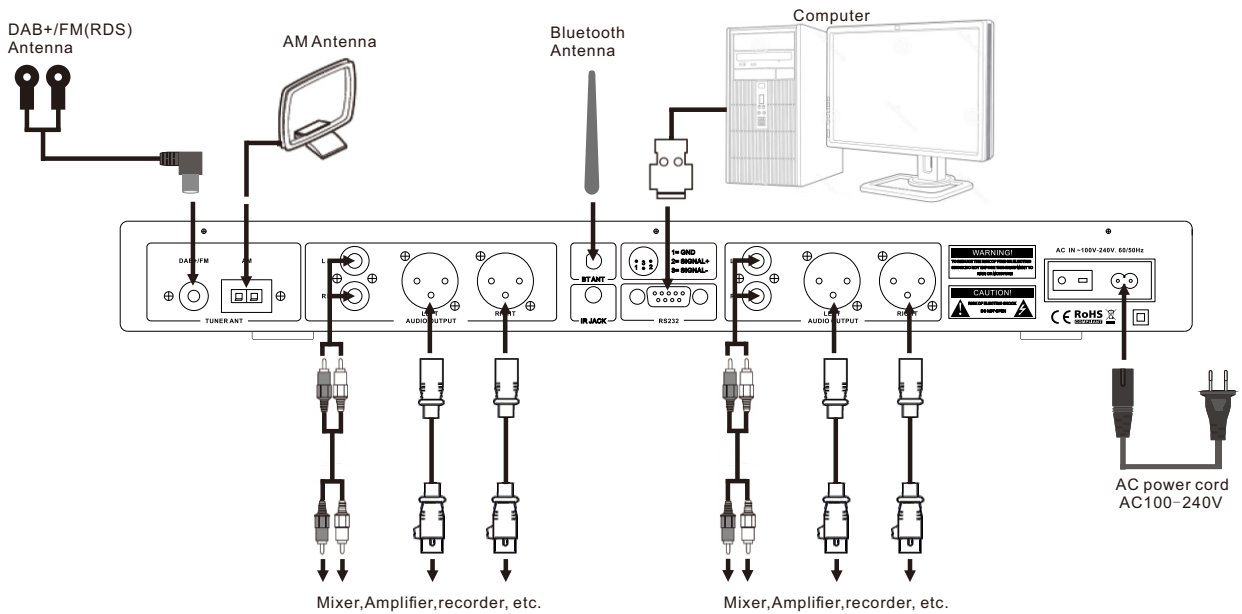
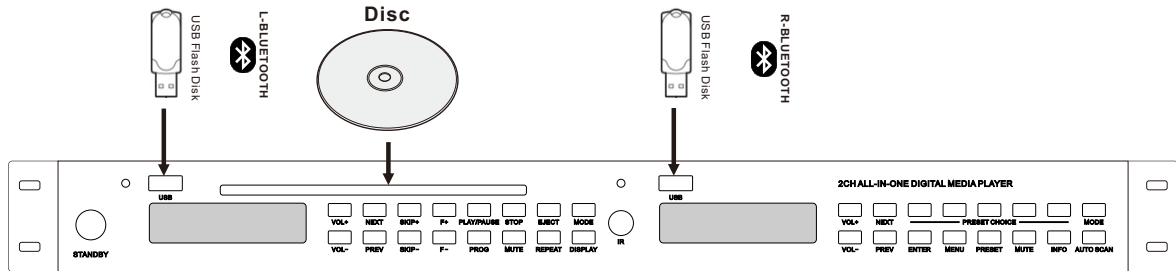
Connect additional IR receiver and attach to other surface where it provides the best reception from the remote control.

### 12. RS232 interface:

Serial control through the RS232 connector can be used to operate this unit from a computer or other external device.

## □ Connection Illustration

Carefully read the operation manuals of the devices to be connected and then connect them correctly. Before making connections, turn this unit and all equipment to be connected off (standby).



## □ Specifications

- System 2-Channel Media Player
- Compatible media Channel A: CD,USB,Bluetooth  
Channel B: USB,Bluetooth,FM(RDS),DAB+(DAB),AM
- Playable formats CD: CD,CD-R,CD-RW  
USB: MP3,WAV
- Bluetooth version 5.0 version
- Frequency range FM(RDS): 87.50 - 108.00 MHz  
DAB+(DAB): 87.50 - 108.00 MHz  
AM: 522 - 1620 Khz
- Frequency response 20 Hz - 20 Khz ( $\pm 0.5$  dB)
- S/N ratio More than 105 dB
- T.H.D Less than 0.005%
- Unbalanced out L/R RCA terminal x 2  
Load impedance: Over 10 k $\Omega$ /kohms  
Output level: 2 Vrms (Max. 10 dBu) at 10 k $\Omega$ /kohms load
- Balanced out L/R XLR terminal x 2 (1:GND, 2:Hot, 3:Cold)  
Load impedance: Over 600 $\Omega$ /ohms  
Output level: 8.23 dBu (Max. 24 dBu) at 600 $\Omega$ /ohms load
- Power supply AC 100-240V 50/60 Hz
- Power consumption 30W (0.5W standby)
- Product size 330x267x49mm  
372x267x49mm (with rack ears)
- Carton size 520x355x117mm
- Net weight 3.40kg
- Gross weight 4.10kg